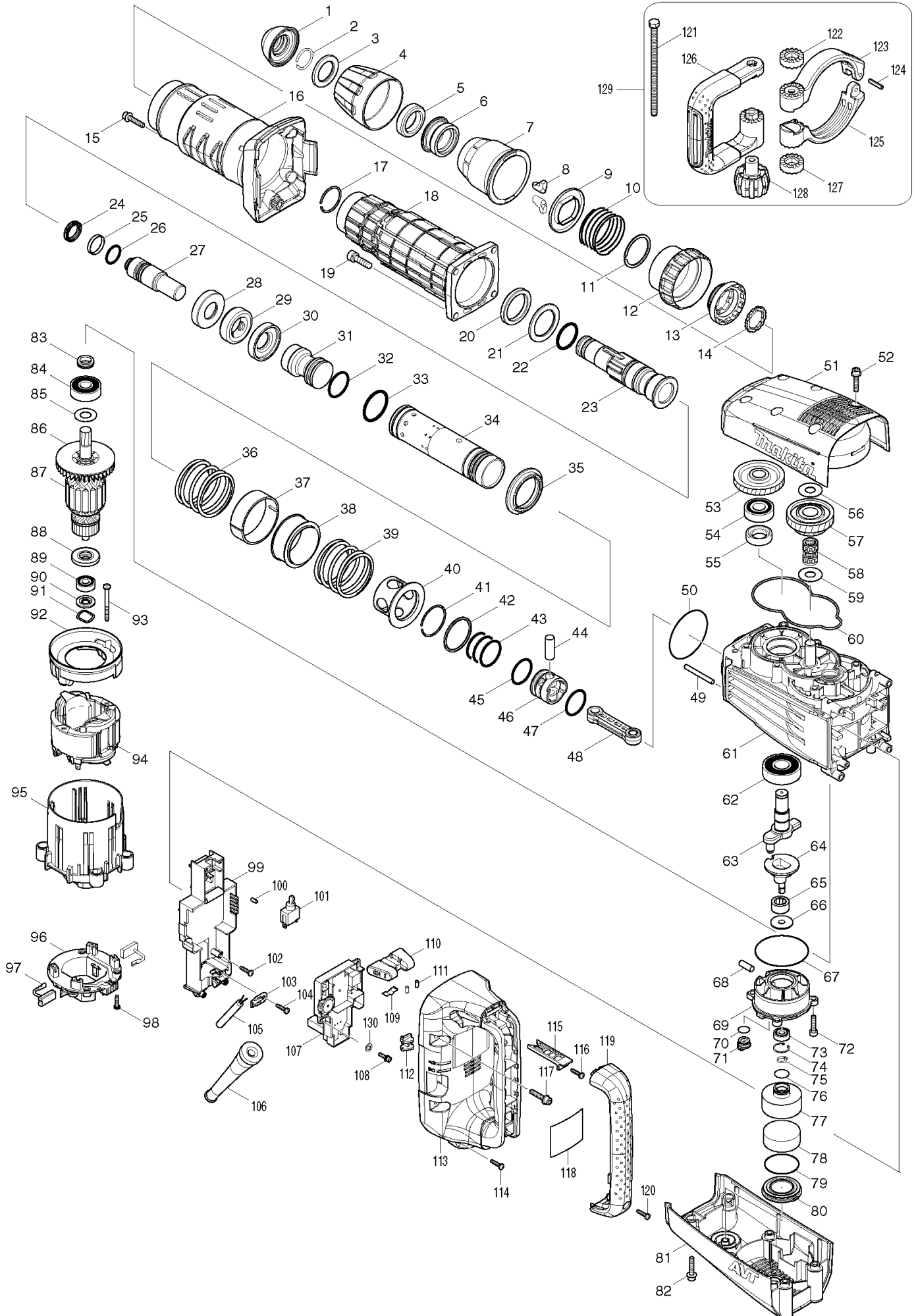


Nr.	Art nr.	Namn
1	424165-8	TOOL HOLDER CAP
2	233973-4	RING SPRING 26
3	267386-7	FLAT WASHER 30
4	450894-7	CHUCK COVER
5	262147-0	RUBBER RING 30
6	324987-5	CHUCK RING
7	450895-5	RELEASE COVER
8	310279-8	TOOL RETAINER
9	346015-6	SPRING GUIDE
10	234086-4	COMPRESSION SPRING 56
11	961232-3	RETAINING RING WR-45
12	450893-9	CHANGE RING COVER
13	324969-7	CHANGE RING
14	324988-3	LOCK RING
15	266499-1	H.S HEAD BOLT M6X30 WITH GM
16	451113-4	BARREL COVER
17	233970-0	RING SPRING 35
18	158984-7	BARREL COMPLETE
19	266010-9	HEX. SOCKET HEAD BOLT M8X30
20	262148-8	RUBBER RING 39
21	267387-5	FLAT WASHER 39
22	213079-4	O-RING 35.5
23	324985-9	TOOL HOLDER
24	213980-3	X-RING 21
25	213431-6	FLUORIDE RING 28
26	213394-6	O RING 23
27	325681-2	IMPACT BOLT
28	324993-0	SHOULDER SLEEVE
29	262149-6	RUBBER RING 24
30	324993-0	SHOULDER SLEEVE
31	325680-4	STRIKER
32	213499-2	O-RING 31.5
33	213581-7	O-RING 44
34	331856-3	CYLINDER 40
35	451110-0	CYLINDER GUIDE
36	234107-2	COMPRESSION SPRING 58
37	451103-7	WEIGHT GUIDE
38	331854-7	COUNTER WEIGHT
39	234107-2	COMPRESSION SPRING 58
40	325661-8	SLIDE SLEEVE
41	231985-1	RING SPRING 43
42	257297-4	RING 45
43	213510-0	O RING 36
44	268121-6	PIN 12
45	213499-2	O-RING 31.5
46	450961-8	PISTON
47	213149-9	O RING 35
48	450890-5	CONNECTING ROD

49	268235-1	PIN 6
50	213754-2	O RING 71
51	451115-0	GEAR COVER
52	266499-1	H.S HEAD BOLT M6X30 WITH GM
53	226699-5	HELICAL GEAR 52
54	211290-2	BALL BEARING 6203ZZ
55	213313-2	OIL SEAL 20
56	267166-1	FLAT WASHER 14
57	226155-5	GEAR COMPLETE 34-48
58	212159-3	NEEDLE CAGE 1412
59	267166-1	FLAT WASHER 14
60	424196-7	SEAL RING
61	158983-9	CRANK HOUSING COMPLETE
62	211327-5	BALL BEARING 6304LLU
63	325659-5	CRANK SHAFT
64	325660-0	COUNTER SHAFT
65	212225-6	NEEDLE BEARING 1613
66	325662-6	SHOULDER WASHER 8
67	213754-2	O RING 71
68	268222-0	PIN 8
69	158985-5	BEARING BOX COMPLETE
70	213176-6	O RING 14
71	451104-5	GREASE CAP
72	266087-4	HEX.BOLT M6X25
73	211032-4	BALL BEARING 608ZZ
74	962112-6	RETAINING RING R-22
75	961004-6	RETAINING RING S-8
76	213262-3	O RING 18
77	451108-7	FILTER CASE
78	443147-1	FILTER
79	213569-7	O RING 45
80	451109-5	FILTER CASE COVER
81	451116-8	REAR COVER
82	266499-1	H.S HEAD BOLT M6X30 WITH GM
83	331855-5	SEALING SCREW
84	211249-9	BALL BEARING 6302LLU
85	267397-2	FLAT WASHER 15
87	517838-1	ARMATURE ASSEMBLY 220-240V
88	681642-5	INSULATION WASHER
89	210059-1	BALL BEARING 6000DDW
90	451107-9	WASHER GUIDE
91	267809-5	WAVE WASHER 19
92	451111-8	BAFFLE PLATE
93	266095-5	TAPPING SCREW 5X55
94	636303-2	FIELD 220-240V
95	451117-6	MOTOR HOUSING
96	638447-4	BRUSH HOLDER UNIT
97	194412-8	Hiilet CB-171
98	265995-6	TAPPING SCREW 4X18

99	158986-3	CONTROLLER COVER COMPLETE
100	263027-3	RUBBER PIN 4
101	651423-1	SWITCH
102	265995-6	TAPPING SCREW 4X18
103	687169-3	STRAIN RELIEF
104	265995-6	TAPPING SCREW 4X18
105	695123-3	POWER SUPPLY CORD 1.5-2-4.0
106	682560-0	CORD GUARD 10
107	631883-3	CONTROLLER
108	265490-6	HEX. SOCKET HEAD BOLT M4X16
109	232209-8	LEAF SPRING
110	451112-6	SLIDE LEVER
111	263027-3	RUBBER PIN 4
112	451105-3	LENS
113	451118-4	HANDLE
114	265995-6	TAPPING SCREW 4X18
115	451106-1	SWITCH LEVER
116	265995-6	TAPPING SCREW 4X18
117	266499-1	H.S HEAD BOLT M6X30 WITH GM
118	866749-0	HM1214C NAME PLATE
119	451119-2	HANDLE COVER
120	265995-6	TAPPING SCREW 4X18
121	265439-6	HEX. BOLT M8X150
122	417002-3	SIDE HANDLE CAM
123	318430-4	SIDE HANDLE BASE 90A
124	951166-8	SPRING PIN 5-24
125	318431-2	SIDE HANDLE BASE 90B
126	417003-1	Sivukahva
127	417002-3	SIDE HANDLE CAM
128	252640-2	WING NUT M8
130	941051-3	FLAT WASHER 4



Nr.	Art nr.	Namn
1	424165-8	TOOL HOLDER CAP
2	233973-4	RING SPRING 26
3	267386-7	FLAT WASHER 30
4	450894-7	CHUCK COVER
5	262147-0	RUBBER RING 30
6	324987-5	CHUCK RING
7	450895-5	RELEASE COVER
8	310279-8	TOOL RETAINER
9	346015-6	SPRING GUIDE
10	234086-4	COMPRESSION SPRING 56
11	961232-3	RETAINING RING WR-45
12	450893-9	CHANGE RING COVER
13	324969-7	CHANGE RING
14	324988-3	LOCK RING
15	266499-1	H.S HEAD BOLT M6X30 WITH GM
16	451113-4	BARREL COVER
17	233970-0	RING SPRING 35
18	141786-8	BARREL COMPLETE
19	266010-9	HEX. SOCKET HEAD BOLT M8X30
20	262148-8	RUBBER RING 39
21	267387-5	FLAT WASHER 39
22	213079-4	O-RING 35.5
23	324985-9	TOOL HOLDER
24	213980-3	X-RING 21
25	213431-6	FLUORIDE RING 28
26	213394-6	O RING 23
27	325681-2	IMPACT BOLT
28	324993-0	SHOULDER SLEEVE
29	262149-6	RUBBER RING 24
30	324993-0	SHOULDER SLEEVE
31	325680-4	STRIKER
32	213499-2	O-RING 31.5
33	213581-7	O-RING 44
34	331856-3	CYLINDER 40
35	451110-0	CYLINDER GUIDE
36	234107-2	COMPRESSION SPRING 58
37	451103-7	WEIGHT GUIDE
38	331854-7	COUNTER WEIGHT
39	234107-2	COMPRESSION SPRING 58
40	325661-8	SLIDE SLEEVE
41	231985-1	RING SPRING 43
42	257297-4	RING 45
43	213510-0	O RING 36
44	268121-6	PIN 12
45	213499-2	O-RING 31.5
46	450961-8	PISTON
47	213149-9	O RING 35
48	450890-5	CONNECTING ROD

49	268235-1	PIN 6
50	213754-2	O RING 71
51	451115-0	GEAR COVER
52	266499-1	H.S HEAD BOLT M6X30 WITH GM
53	226699-5	HELICAL GEAR 52
54	211290-2	BALL BEARING 6203ZZ
55	213313-2	OIL SEAL 20
56	267166-1	FLAT WASHER 14
57	226155-5	GEAR COMPLETE 34-48
58	212159-3	NEEDLE CAGE 1412
59	267166-1	FLAT WASHER 14
60	424196-7	SEAL RING
61	158983-9	CRANK HOUSING COMPLETE
62	211327-5	BALL BEARING 6304LLU
63	325659-5	CRANK SHAFT
64	325660-0	COUNTER SHAFT
65	212225-6	NEEDLE BEARING 1613
66	325662-6	SHOULDER WASHER 8
67	213754-2	O RING 71
68	268222-0	PIN 8
69	158985-5	BEARING BOX COMPLETE
70	213176-6	O RING 14
71	451104-5	GREASE CAP
72	266087-4	HEX.BOLT M6X25
73	211032-4	BALL BEARING 608ZZ
74	962112-6	RETAINING RING R-22
75	961004-6	RETAINING RING S-8
76	213262-3	O RING 18
77	451108-7	FILTER CASE
78	443147-1	FILTER
79	213569-7	O RING 45
80	451109-5	FILTER CASE COVER
81	451116-8	REAR COVER
82	266499-1	H.S HEAD BOLT M6X30 WITH GM
83	331855-5	SEALING SCREW
84	211249-9	BALL BEARING 6302LLU
85	267397-2	FLAT WASHER 15
87	517838-1	ARMATURE ASSEMBLY 220-240V
88	681642-5	INSULATION WASHER
89	210059-1	BALL BEARING 6000DDW
90	451107-9	WASHER GUIDE
91	267809-5	WAVE WASHER 19
92	451111-8	BAFFLE PLATE
93	266095-5	TAPPING SCREW 5X55
94	636303-2	FIELD 220-240V
95	451117-6	MOTOR HOUSING
96	638447-4	BRUSH HOLDER UNIT
97	195844-2	CARBON BRUSH CB-175
98	265995-6	TAPPING SCREW 4X18

99	158986-3	CONTROLLER COVER COMPLETE
100	263027-3	RUBBER PIN 4
101	651423-1	SWITCH
102	265995-6	TAPPING SCREW 4X18
103	687169-3	STRAIN RELIEF
104	265995-6	TAPPING SCREW 4X18
105	695123-3	POWER SUPPLY CORD 1.5-2-4.0
106	682560-0	CORD GUARD 10
107	631883-3	CONTROLLER
108	265490-6	HEX. SOCKET HEAD BOLT M4X16
109	232209-8	LEAF SPRING
110	451112-6	SLIDE LEVER
111	263027-3	RUBBER PIN 4
112	451105-3	LENS
113	451118-4	HANDLE
114	265995-6	TAPPING SCREW 4X18
115	451106-1	SWITCH LEVER
116	265995-6	TAPPING SCREW 4X18
117	266499-1	H.S HEAD BOLT M6X30 WITH GM
118	866749-0	HM1214C NAME PLATE
119	451119-2	HANDLE COVER
120	265995-6	TAPPING SCREW 4X18
121	265439-6	HEX. BOLT M8X150
122	417002-3	SIDE HANDLE CAM
123	318430-4	SIDE HANDLE BASE 90A
124	951166-8	SPRING PIN 5-24
125	318431-2	SIDE HANDLE BASE 90B
126	417003-1	Sivukahva
127	417002-3	SIDE HANDLE CAM
128	252640-2	WING NUT M8
130	346546-5	PLATE